

DS96173/DS96175 RS-485/RS-422 Quad Differential Line Receivers

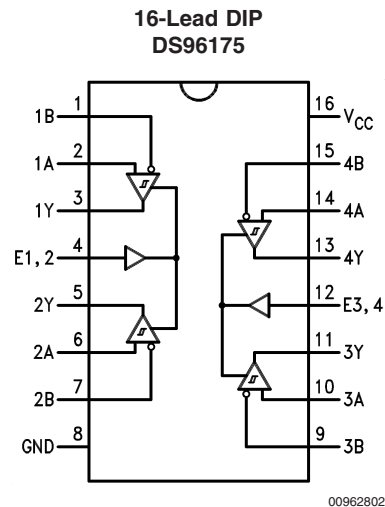
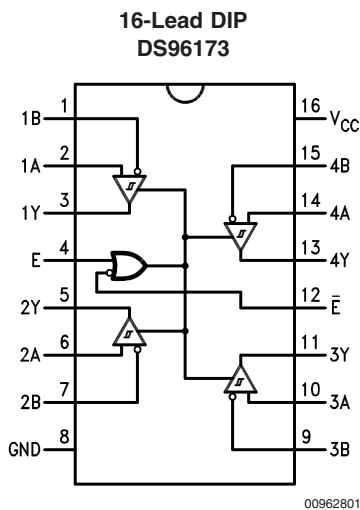
General Description

The DS96173 and DS96175 are high speed quad differential line receivers designed to meet EIA Standard RS-485. The devices have TRI-STATE® outputs and are optimized for balanced multipoint data bus transmission at rates up to 10 Mbps. The receivers feature high input impedance, input hysteresis for increased noise immunity, and input sensitivity of 200 mV over a common mode input voltage range of -7V to +12V. The receivers are therefore suitable for multipoint applications in noisy environments. The DS96173 features an active high and active low Enable, common to all four receivers. The DS96175 features separate active high Enables for each receiver pair. Compatible RS-485 drivers, transceivers, and repeaters are also offered to provide optimum bus performance. The respective device types are DS96172, DS96174, DS96176 and DS96177.

Features

- Meets EIA Standard RS-485, RS-422A, RS-423A
- Designed for multipoint bus applications
- TRI-STATE Outputs
- Common mode input voltage range: -7V to +12V
- Operates from single +5V supply
- Input sensitivity of ±200 mV over common mode range
- Input hysteresis of 50 mV typical
- High input impedance
- DS96173/DS96175 are lead and function compatible with SN75173/75175 or the AM26LS32/MC3486 respectively

Connection Diagrams



Order Number DS96173CN or DS96175CN
See NS Package Number N16E

TRI-STATE® is a registered trademark of National Semiconductor Corporation.

Absolute Maximum Ratings (Note 2)

If Military/Aerospace specified devices are required, please contact the National Semiconductor Sales Office/Distributors for availability and specifications.

Storage Temperature Range	
Molded DIP	-65°C to +150°C
Lead Temperature	
Molded DIP (soldering, 10 sec.)	265°C
Maximum Power Dissipation (Note 1) at 25°C	
N-Molded Package	1.84W
Supply Voltage	7V
Input Voltage, A or B Inputs	±25V
Differential Input Voltage	±25V
Enable Input Voltage	7V

Low Level Output Current

50 mA

Recommended Operating Conditions

	Min	Typ	Max	Units
Supply Voltage (V_{CC})	4.75	5	5.25	V
Common Mode Input Voltage (V_{CM})	-7		+12	V
Differential Input Voltage (V_{ID})	-7		+12	V
Output Current High (I_{OH})			-400	μA
Output Current LOW (I_{OL})			16	mA
Operating Temperature (T_A)	0	25	70	°C

Note 1: Derate molded DIP package 15 mW/°C above 25°C.**Electrical Characteristics** (Notes 3, 4)

over recommended temperature, common mode input voltage, and supply voltage ranges, unless otherwise specified

Symbol	Parameter	Conditions	Min	Typ	Max	Units
V_{TH}	Differential Input High Threshold Voltage	$V_O = 2.7V, I_O = -0.4 \text{ mA}$			0.2	V
V_{TL}	Differential Input (Note 5) Low Threshold Voltage	$V_O = 0.5V, I_O = 16 \text{ mA}$	-0.2			V
$V_{T+} - V_{T-}$	Hysteresis (Note 6)	$V_{CM} = 0V$		50		mV
V_{IH}	Enable Input Voltage HIGH		2.0			V
V_{IL}	Enable Input Voltage LOW				0.8	V
V_{IC}	Enable Input Clamp Voltage	$I_I = -18 \text{ mA}$			-1.5	V
V_{OH}	Output Voltage HIGH	$V_{ID} = 200 \text{ mV}, I_{OH} = -400 \text{ μA}$	2.7			V
V_{OL}	Output Voltage LOW	$V_{ID} = -200 \text{ mV}$			0.45	V
		$I_{OL} = 8 \text{ mA}$			0.50	
I_{OZ}	High Impedance State Output	$V_O = 0.4V \text{ to } 2.4V$			±20	μA
I_I	Line Input Current (Note 7)	Other Input = 0V	$V_I = 12V$		1.0	mA
			$V_I = -7V$		-0.8	
I_{IH}	Enable Input Current HIGH	$V_{IH} = 2.7V$			20	μA
I_{IL}	Enable Input Current LOW	$V_{IL} = 0.4V$			-100	μA
R_I	Input Resistance			12		kΩ
I_{OS}	Short Circuit Output Current	(Note 8)	-15		-85	mA
I_{CC}	Supply Current	Outputs Disabled			75	mA

Note 2: "Absolute Maximum Ratings" are those values beyond which the safety of the device cannot be guaranteed. They are not meant to imply that the devices should be operated at these limits. The tables of "Electrical Characteristics" provide conditions for actual device operation.

Note 3: Unless otherwise specified Min/Max limits apply across the 0°C to +70°C range for the DS96173/DS96175. All typicals are given for $V_{CC} = 5V$ and $T_A = 25°C$.

Note 4: All currents into the device pins are positive; all currents out of the device pins are negative. All voltages are reference to ground unless otherwise specified.

Note 5: The algebraic convention, when the less positive (more negative) limit is designated minimum, is used in this data sheet for common mode input voltage and threshold voltage levels only.

Note 6: Hysteresis is the difference between the positive-going input threshold voltage, V_{T+} , and the negative going input threshold voltage, V_{T-} .

Note 7: Refer to EIA Standards RS-485 for exact conditions.

Note 8: Only one output at a time should be shorted.

Switching Characteristics

$V_{CC} = 5V, T_A = 25^\circ C$

Symbol	Parameter	Conditions	Min	Typ	Max	Units
t_{PLH}	Propagation Delay Time, Low to High Level Output	$V_{ID} = -2.5V$ to $2.5V$, $C_L = 15$ pF, <i>Figure 1</i>		15	25	ns
t_{PHL}	Propagation Delay Time, High to Low Level Output			15	25	ns
t_{PZH}	Output Enable Time to High Level	$C_L = 15$ pF, <i>Figure 2</i>		15	22	ns
t_{PZL}	Output Enable Time to Low Level	$C_L = 15$ pF, <i>Figure 3</i>		15	22	ns
t_{PHZ}	Output Disable Time from High Level	$C_L = 5$ pF, <i>Figure 2</i>		14	30	ns
t_{PLZ}	Output Disable Time from Low Level	$C_L = 5$ pF, <i>Figure 3</i>		24	40	ns

Function Tables

(Each Receiver) DS96173

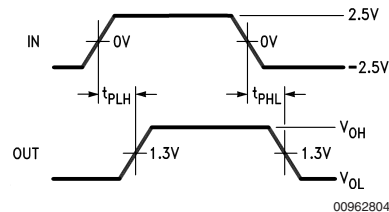
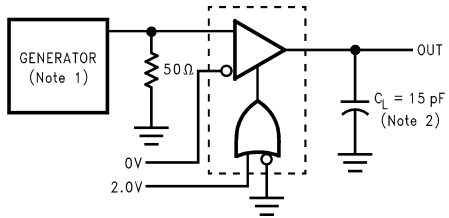
Differential Inputs A-B	Enables E \bar{E}	Outputs V
$V_{ID} > 0.2V$	H X	H
	X L	H
$V_{ID} < -0.2V$	H X	L
	X L	L
X	L X	Z
X	X H	Z

H = High Level
L = Low Level
X = Immaterial
Z = High Impedance (off)

(Each Receiver) DS96175

Differential Inputs A-B	Enable Y	Output Y
$V_{ID} \geq 0.2V$	H	H
$V_{ID} \leq -0.2V$	H	L
X	L	Z

Parameter Measurement Information

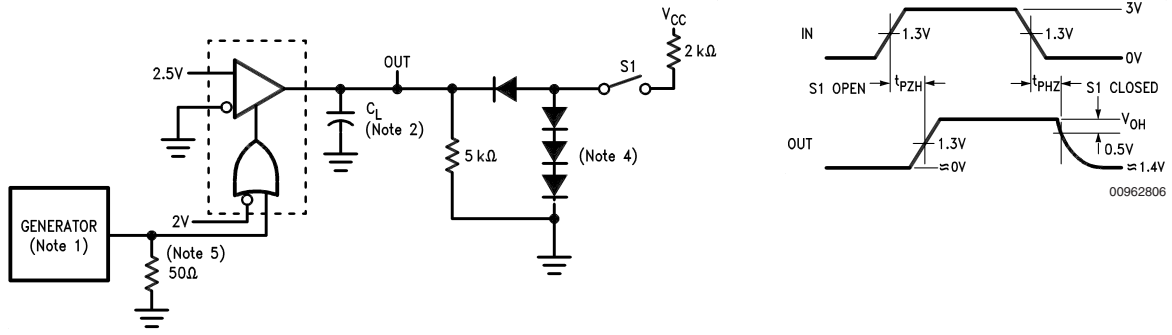


00962803

00962804

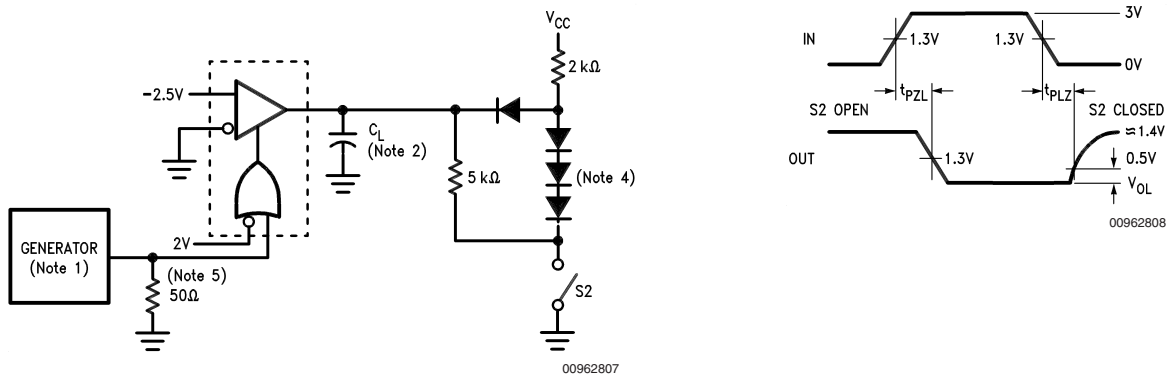
FIGURE 1. t_{PLH}, t_{PHL} (Note 11)

Parameter Measurement Information (Continued)



00962805

FIGURE 2. t_{PHZ} , t_{PZH} (Note 11)



00962807

FIGURE 3. t_{PZL} , t_{PLZ} (Note 11)

Note 9: The input pulse is supplied by a generator having the following characteristics: PRR = 1.0 MHz, 50% duty cycle, $t_r \leq 6.0$ ns, $t_f \leq 6.0$ ns, $Z_O = 50\Omega$.

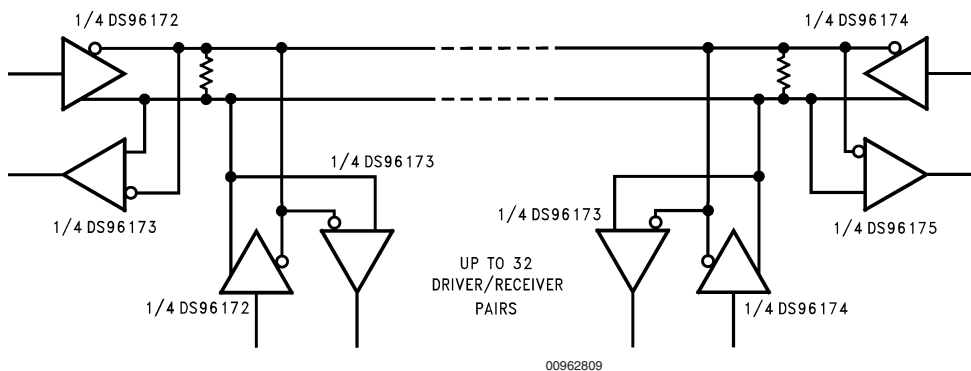
Note 10: C_L includes probe and stray capacitance.

Note 11: DS96173 with active high and active low Enables is shown here. DS96175 has active high Enable only.

Note 12: All diodes are 1N916 or equivalent.

Note 13: To test the active low Enable \bar{E} of DS96173, ground E and apply an inverted input waveform to \bar{E} . DS96175 has active high Enable only.

Typical Application



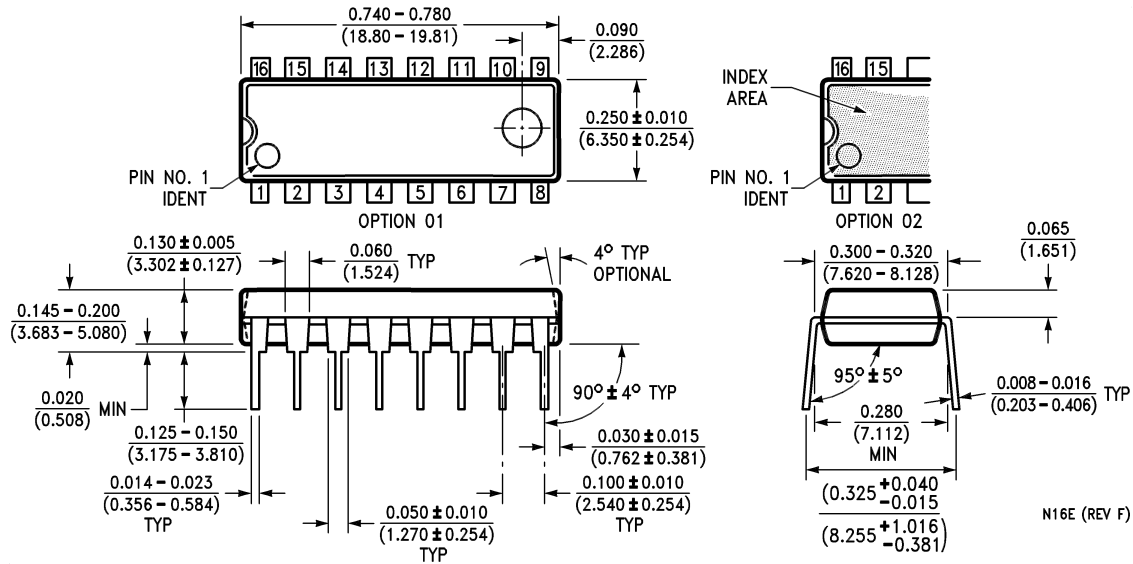
00962809

Note: The line length should be terminated at both ends in its characteristic impedance. Stub lengths off the main line should be kept as short as possible.

FIGURE 4.

Physical Dimensions inches (millimeters)

unless otherwise noted



Molded Dual-In-Line Package (N)
Order Number DS96173CN or DS96175CN
NS Package Number N16E

N16E (REV F)

National does not assume any responsibility for use of any circuitry described, no circuit patent licenses are implied and National reserves the right at any time without notice to change said circuitry and specifications.

For the most current product information visit us at www.national.com.

LIFE SUPPORT POLICY

NATIONAL'S PRODUCTS ARE NOT AUTHORIZED FOR USE AS CRITICAL COMPONENTS IN LIFE SUPPORT DEVICES OR SYSTEMS WITHOUT THE EXPRESS WRITTEN APPROVAL OF THE PRESIDENT AND GENERAL COUNSEL OF NATIONAL SEMICONDUCTOR CORPORATION. As used herein:

1. Life support devices or systems are devices or systems which, (a) are intended for surgical implant into the body, or (b) support or sustain life, and whose failure to perform when properly used in accordance with instructions for use provided in the labeling, can be reasonably expected to result in a significant injury to the user.
2. A critical component is any component of a life support device or system whose failure to perform can be reasonably expected to cause the failure of the life support device or system, or to affect its safety or effectiveness.

BANNED SUBSTANCE COMPLIANCE

National Semiconductor certifies that the products and packing materials meet the provisions of the Customer Products Stewardship Specification (CSP-9-111C2) and the Banned Substances and Materials of Interest Specification (CSP-9-111S2) and contain no "Banned Substances" as defined in CSP-9-111S2.



National Semiconductor
Americas Customer
Support Center
 Email: new.feedback@nsc.com
 Tel: 1-800-272-9959

National Semiconductor
Europe Customer Support Center
 Fax: +49 (0) 180-530 85 86
 Email: europe.support@nsc.com
 Deutsch Tel: +49 (0) 69 9508 6208
 English Tel: +44 (0) 870 24 0 2171
 Français Tel: +33 (0) 1 41 91 8790

National Semiconductor
Asia Pacific Customer
Support Center
 Email: ap.support@nsc.com

National Semiconductor
Japan Customer Support Center
 Fax: 81-3-5639-7507
 Email: jpn.feedback@nsc.com
 Tel: 81-3-5639-7560

This datasheet has been download from:

www.datasheetcatalog.com

Datasheets for electronics components.

National Semiconductor was acquired by Texas Instruments.

http://www.ti.com/corp/docs/investor_relations/pr_09_23_2011_national_semiconductor.html

This file is the datasheet for the following electronic components:

DS96175CN - <http://www.ti.com/product/ds96175cn?HQS=TI-null-null-dscatalog-df-pf-null-ww>

DS96173CN - <http://www.ti.com/product/ds96173cn?HQS=TI-null-null-dscatalog-df-pf-null-ww>